



**BOSCH**  
Invented for life

# LBB 1950/10 Plena Tabletop Unidirectional Condenser Microphone



- ▶ Stylish tabletop unidirectional condenser microphone on a flexible stem
- ▶ Phantom powered by amplifier
- ▶ Momentary or toggle PTT-key for calls with priority contact
- ▶ Green LED, indicating microphone active
- ▶ Stable metal base design with fixed 2 m cable and lockable DIN connector
- ▶ Separate DIN to XLR adapter

The Plena tabletop microphone is a stylish, high-quality tabletop unidirectional condenser microphone, mainly intended for making calls in a public address system. Its heavy metal base and rubber feet ensure stability on any flat surface. The special design also allows the unit to be neatly flush-mounted in desktops.

## Functions

The PTT-key (press-to-talk), not only switches on the microphone, but also provides priority contacts, that are compatible with the Plena range of amplifiers. The switching characteristic of the PTT-key can be configured internally for PTT-mode (on as long as pressed) or toggle-mode (press to switch on, press again to switch off).

It is equipped with a fixed, flexible 2 m cable and a 5-pin DIN connector for the balanced signal and the priority contacts. If the priority contacts are not required, the microphone can be connected to amplifiers with 3-pin XLR-inputs, using the DIN to XLR adapter.

A green LED indicates when the microphone is active.

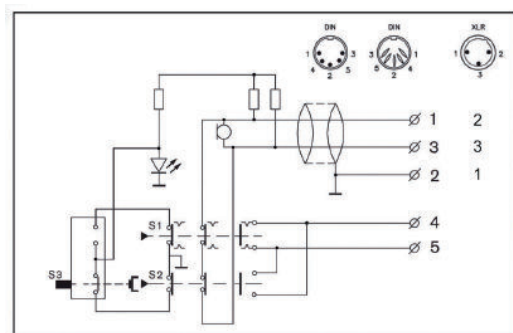
### Controls and indicators

- PTT-key
- PTT status LED

## Certifications and Approvals

Region	Certification
Europe	CE Declaration of Conformity
Safety	acc. to EN 60065
Immunity	acc. to EN 55103-2
Emission	acc. to EN 55103-1

## Installation/Configuration Notes



Circuit diagram

**Parts Included**

Quantity	Component
1	LBB 1950/10 PLENA Tabletop Unidirectional Condenser Microphone
1	DIN to XLR adapter

**Technical Specifications**

**Electrical**

**Phantom power supply**

Voltage range	12 to 48 V
Current consumption	<8 mA

**Performance**

Sensitivity	0.7 mV @ 85 dB SPL (2 mV/Pa)
Maximum input sound level	110 dB SPL
Distortion	<0.6% (maximum input)
Input noise level (equiv.)	28 dB SPLA (S/N 66 dBA ref. 1 Pa)
Frequency response	100 Hz to 16 kHz
Output impedance	200 ohm

**Mechanical**

Base dimensions (H x W x D)	40 x 100 x 235 mm (1.57 x 3.97 x 9.25 in)
Weight	Approx. 1 kg (2.2 lb)
Color	Charcoal with silver
Stem length with mic	390 mm (15.35 in)
Cable length	2 m (6.56 ft)

**Environmental**

Operating temperature	-10 °C to +55 °C (14 °F to +131 °F)
Storage temperature	-40 °C to +70 °C (-40 °F to +158 °F)
Relative humidity	<95%

**Ordering Information**

<b>LBB 1950/10 Plena Tabletop Unidirectional Condenser Microphone</b> tabletop unidirectional condenser microphone on a flexible stem.	<b>LBB1950/10</b>
<b>Accessories</b>	
<b>LBC 1080/00 Microphone Cable</b> length 100 m; 2 x 0.13 mm <sup>2</sup>	<b>LBC1080/00</b>
<b>LBC 1082/00 Microphone Cable</b> length 100 m; 2 x 0.75 mm <sup>2</sup>	<b>LBC1082/00</b>
<b>LBC 1081/00 Microphone Cable</b> length 100 m; 4 x 0.14 mm <sup>2</sup>	<b>LBC1081/00</b>

**Americas:**  
Bosch Communications Systems  
12000 Portland Avenue South  
Burnsville, Minnesota 55337, USA  
Phone: +1-800-392-3497  
Fax: +1-800-955-6831  
audiosupport@us.bosch.com  
www.boschsecurity.com

**Europe, Middle East, Africa:**  
Bosch Security Systems B.V.  
P.O. Box 80002  
5600 JB Eindhoven, The Netherlands  
Phone: +31 40 2577 284  
Fax: +31 40 2577 330  
emea.securitysystems@bosch.com  
www.boschsecurity.com

**Asia-Pacific:**  
Robert Bosch (SEA) Pte Ltd  
11 Bishan Street 21  
Singapore 573943  
Phone: +65 6571 2600  
Fax: +65 6571 2698  
apr.securitysystems@bosch.com  
www.boschsecurity.com

**Represented by**