

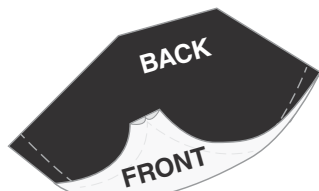
Profile +

Permanently Tensioned Projection Screen

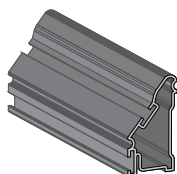
INSTRUCTIONS

INSTALLATION & OPERATION

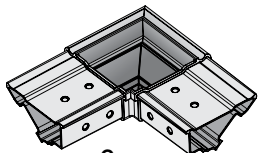
Section 1 - Profile+ Components



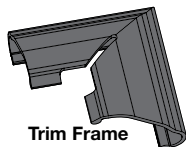
Viewing Surface - 1



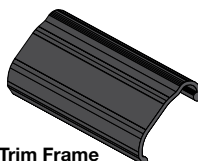
Frame Extrusion Section



Corner



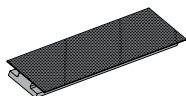
Trim Frame Corner



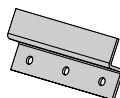
Trim Frame Section



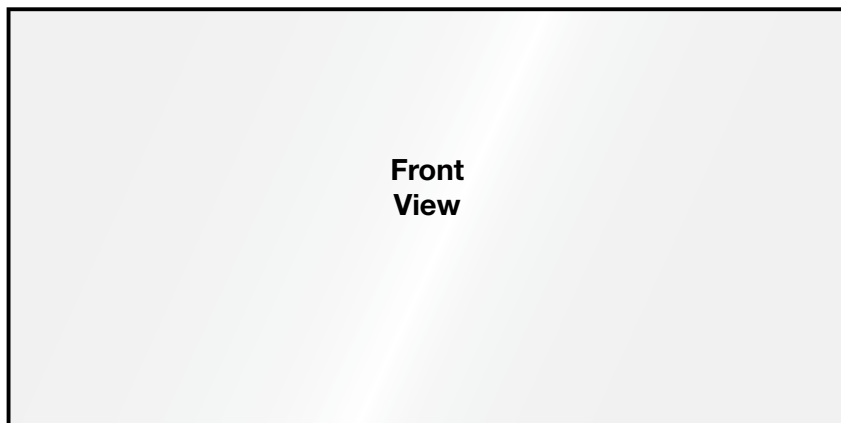
1/4" - Grade 8 Screws (several)



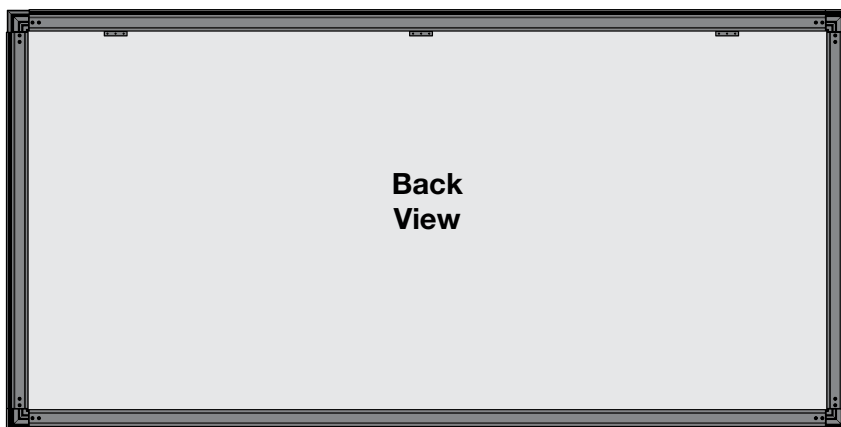
Sliding Hook & Loop Attachment (several)



Mounting Brackets



Front View



Back View

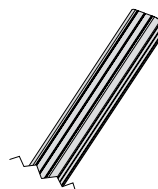
CAUTION

1. Read instructions through completely before proceeding.
2. Follow instructions carefully. Installation contrary to instructions invalidates warranty.
3. Screen should be accessible for complete removal should surface become damaged or should other service be required.
4. Screen should be installed level (using a carpenter's level).
5. Nothing should be fastened to screen frame or viewing surface.
6. Make sure you have received all parts.
7. Draper recommends using two people for assembly and installation. When lifting assembled screen, do not lift at only one corner; lift at both corners. Lifting by one corner could result in damage to the screen frame, especially on large screens.
8. Installer is responsible for providing appropriate hardware for mounting.
9. The ideal temperature range for assembling permanently tensioned screens to prevent damaging the surface is 68° - 78° F (20° - 26° C). Assembling below recommended temperatures may damage surface and void warranty.
10. Use extreme care when handling TecVision surfaces. To prevent damaging the TecVision viewing surface, Draper strongly recommends using the provided white gloves.

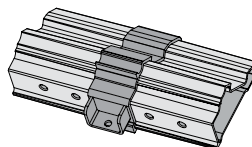
Please Note:

Custom products/installations may not be reflected by this document. Call Draper, Inc. if you have questions about your installation.

For Larger Sizes

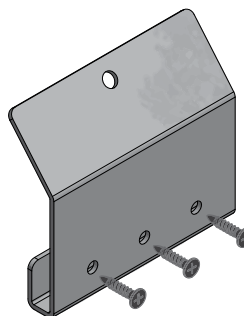


Vertical Support



Vertical Support Connector

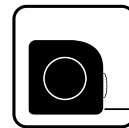
Fly Brackets



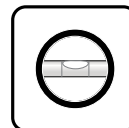
TOOLS REQUIRED



Pencil



Tape Measure



Level



Power Drill



Hardware (by Others)



White Gloves (TecVision Only)

Section 3 - Surface to Frame Assembly

Section 3.1.1 - Standard Sizes

1. Insert sliding Hook & Loop attachments into all four (4) sections of the frame (See Fig. 1).

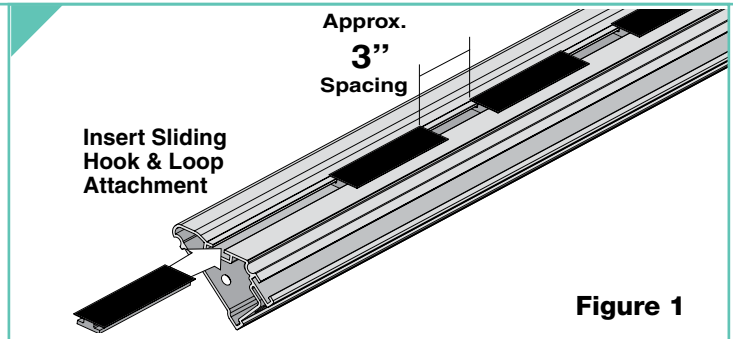


Figure 1

2. Insert the Frame sections onto the corners pieces (See Fig. 2) and secure them with provided screws.

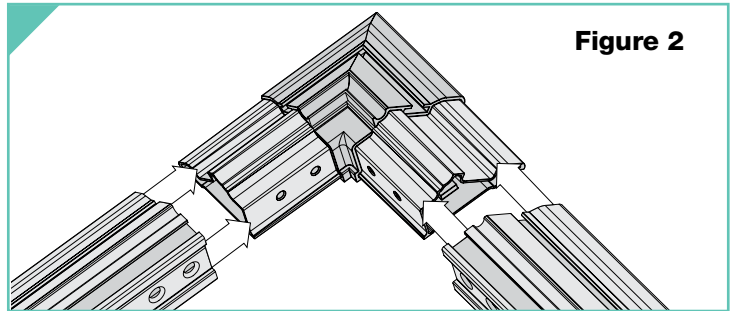


Figure 2

Section 3.1.2 - Larger sizes with Vertical support:

3. When assembling a large frame, use the two (2) vertical support connectors on the top and bottom sections (see Fig. 3). Connect these sections together with the Vertical Support Bar. Secure all frame sections and connectors with provided screws.

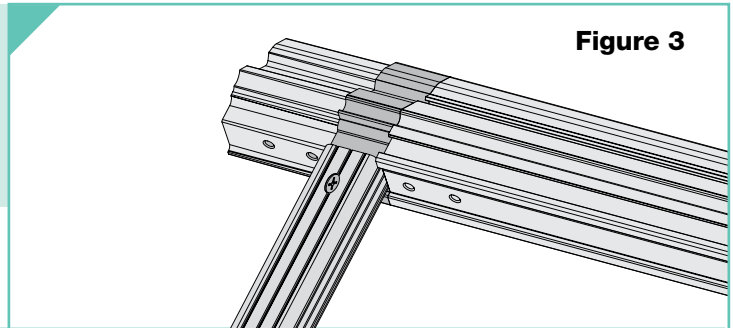


Figure 3

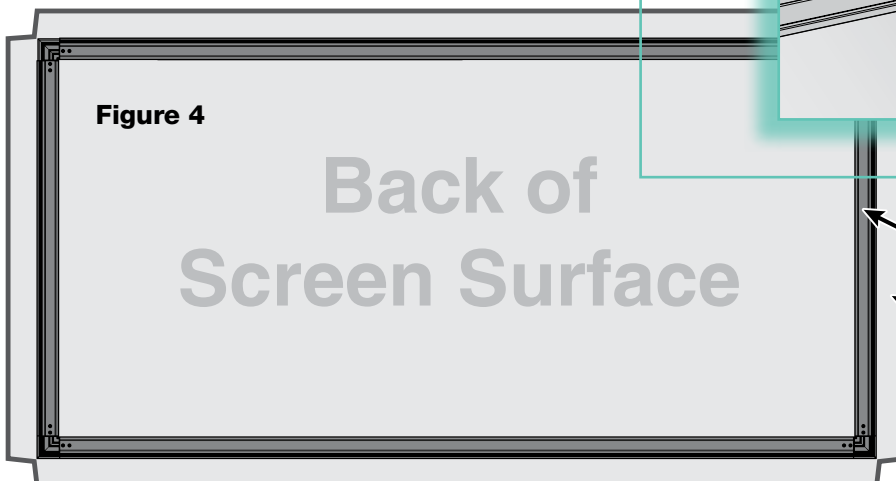
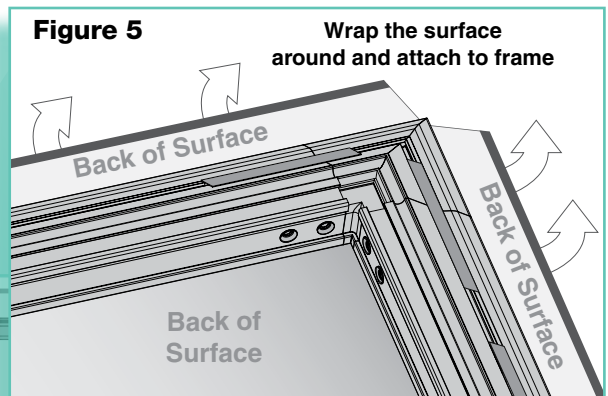
Section 3.2 - All Sizes

4. Carefully lay the screen surface down on a clean table or floor. Place the assembled frame in the center of the screen surface (see Fig. 4).

5. Slide the Hook & Loop attachments along the frame until they are evenly spaced.

6. Pull the edge of the screen surface and wrap it around the frame (see Fig 5). Attach the screen surface on all four (4) sides.

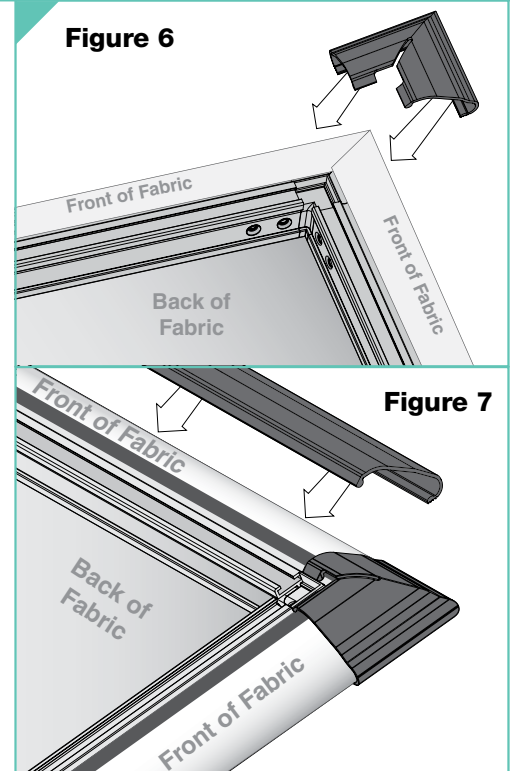
7. Carefully, turn the entire screen assembly over and inspect. Adjust the position of the sliding surface attachments to remove any wrinkles.



Assembled Frame
centered on
Screen Surface
(Viewing Surface Down)

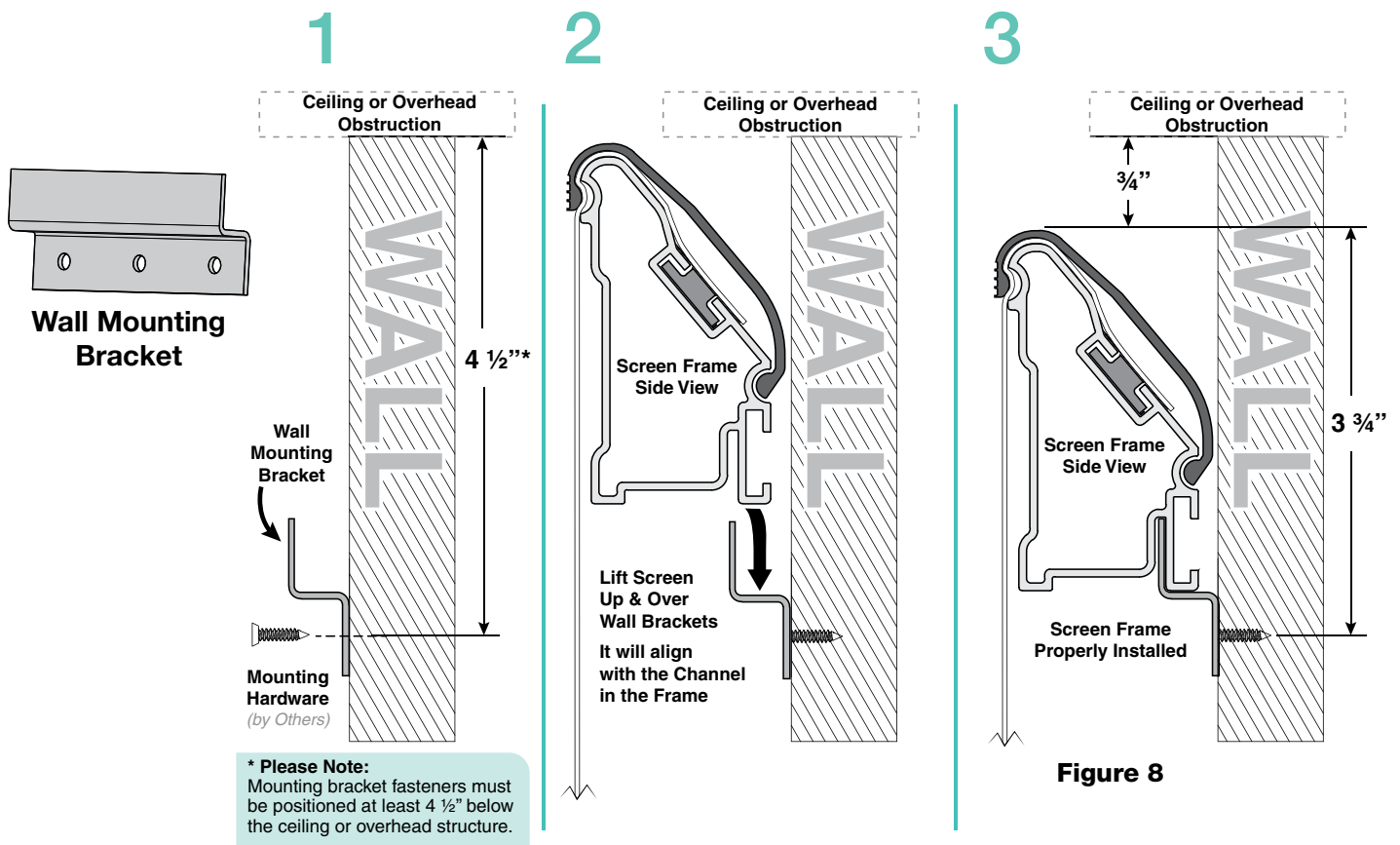
Section 4 - Trim Frame Attachment

1. Snap the trim frame corners onto all four (4) corners.
Adjust the surface if needed (See Fig. 6).
2. Snap the trim frame sections onto all four (4) sides of the frame.
Adjust the surface if needed (See Fig. 7).



Section 5 - Mounting On the Wall

1. Mount the Wall Brackets in the desired location. They must be installed level and have at least 2 fasteners (by others) per bracket.
2. Lift the assembled screen up and over the wall brackets. The screen will align with the channel in the frame.
3. Carefully let the screen settle on the wall brackets.



Section 6 - Flying the Screen

1. Secure Fly Brackets to frame in the desired locations (evenly spaced) with provided self-tapping screws. Screws must penetrate the screen frame in the provided channel and be fully seated.
2. Attach one end of fly cables (by others) to fly brackets and the other end to overhead structure at desired height (see fig. 9).

