

# Installation/Operating Instructions

## V Screen Spring Roller Operated Projection Screen by Draper

### Caution

- ① Read and understand these instructions; keep them for future reference. Follow instructions carefully.
  - ② Care in both mounting and correct operation will mean long and satisfactory service from your Draper screen.
  - ③ Locate the screen where the audience can best see it, and where other room furnishings permit.
  - ④ Mount the screen so that the bottom of the picture, when screen is fully extended, will be above the heads of viewers.
  - ⑤ Screen should be installed level (using a carpenter's level).
  - ⑥ Nothing should be fastened to screen dowel or viewing surface.
- NOTE:** Screen has been thoroughly inspected and tested at factory and found to be operating prior to shipment.

### Installation

Your Draper screen can be mounted on a wall or suspended from the ceiling or extension brackets. It must be mounted level and with the flat back parallel to the wall.

To reduce the risk of personal injury, use only the hardware which comes with the screen or is specified in these instructions.

The screen (or extension brackets) should be mounted into studs or blocking in the wall/ceiling, or in drywall (minimum thickness 1/2") with specified anchors. For any other type of installation, follow all local building and safety codes.

Steel studs, concrete or cinder block walls and all other types of non-wood frame construction require the use of special screws or anchors. The selection of appropriate mounting hardware should be made by a qualified professional installer.

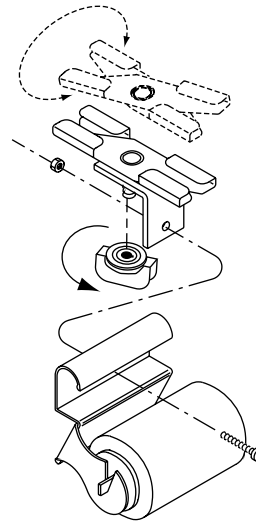
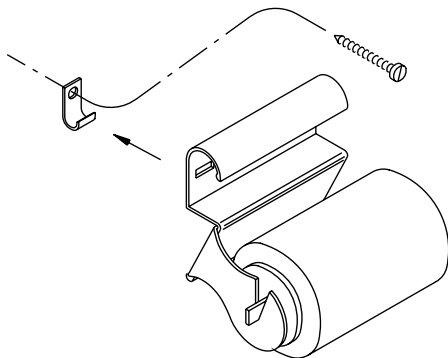
#### Wall Mounting (Screws or "J" Clips Not Included)

If using "J" clips (not included), measure locations of 3/4" slots on support bar and mark locations on wall. Position and mount "J" clips to the wall using hardware recommended. "J" clips attach to the 3/4" slots in the support bar, which runs the length of the screen.

If using wood screws, toggle bolts or molly bolts (not provided), use holes to mark locations on wall. Drill holes in wall, and position and attach screen using appropriate hardware.

**Please Note:** If hole locations do not match up with wall studs, additional holes may be drilled in the aluminum support bar.

**Recommended hardware:** For mounting into wood or wall stud, use #10 x 1 1/4" wood screws; for mounting into drywall (minimum 1/2" thick), use 3/16" toggle bolts or 3/16" molly bolts.



### T-Bar Twist Clips (Optional Equipment)

Loosen the wing nuts and spread the clip assembly apart. The screen's support bar is predrilled on 48" centers to make use of 48" T-iron spacing. Additional holes may be drilled into the support bar if needed. Place clip over the T-iron, and firmly squeeze the clip assembly back together, making sure the clip is firmly seated around the T-iron. Use pliers to retighten the wing nut. Mount the support bar to the clips using the machine screw and locknut provided.

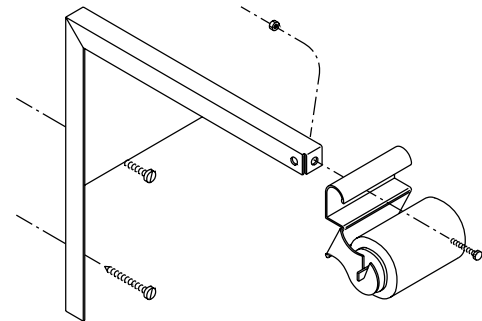
Screens over 84" require 3 T-Bar Twist Clips.

#### Please Note:

Make sure the wing nut is fully tightened. Poorly tightened wing nuts may allow the T-Bar Twist Clip to work loose.

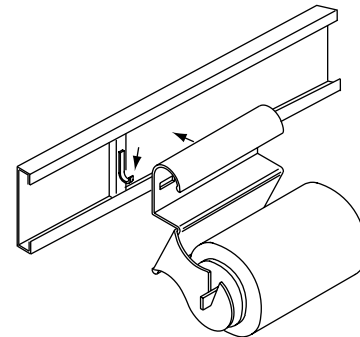
### Extension Brackets (Optional Equipment)

Wall mount the brackets (not included with screen) using hardware recommended for "Wall Mounting" (above). Then, mount the screen to the front of the bracket (as in "Wall Mounting" above) by using the screws and nuts provided with the brackets.



### Hanging from Map Rails (Not Included)

The V Screen can be suspended from map rail hooks (not included). Position hooks in appropriate locations along map rail, and hang screen from map rail hooks using pre-drilled holes or slots in the V Screen's support bar.



### Operating Instructions

**To lower** picture surface, pull screen down. *Hesitate*—then allow screen to retract *very slowly* until it locks in place.

**To raise** picture surface, pull down on the pull bail, then raise quickly, as a window shade. Keep control of the picture surface. Do not allow it to roll back up uncontrolled, or damage is sure to result.

# DRAPER

411 S. Pearl St., Spiceland, IN 47385 USA ■ 765-987-7999 ■ fax 765-987-7142  
e-mail draper@draperinc.com ■ www.draperinc.com

Copyright © 2004 Draper, Inc.

Form VScreen\_Inst04

Printed in U.S.A.

If you encounter any difficulties installing or servicing your screen, call your dealer or Draper, Inc., Spiceland, Indiana, (765) 987-7999, fax (765) 987-7142 or e-mail draper@draperinc.com