

## Installation/Operating Instructions

# Artisan/Series M Spring-Operated Projection Screen by Draper

### **Caution**

- ① Read instructions through completely before proceeding.
- ② Follow instructions carefully. Installation contrary to instructions invalidates warranty.
- ③ Screen should be accessible for complete removal should fabric become damaged or should other service be required.
- ④ Screen should be installed level (using a carpenter's level).
- ⑤ Nothing should be fastened to screen dowel or viewing surface.

**NOTE:** Screen has been thoroughly inspected and tested at factory and found to be operating properly prior to shipment.

### **Ceiling Installation (See Fig. 3):**

Install through the two  $\frac{5}{16}$ " diameter mounting holes at each end of the screen case, using appropriate fasteners.

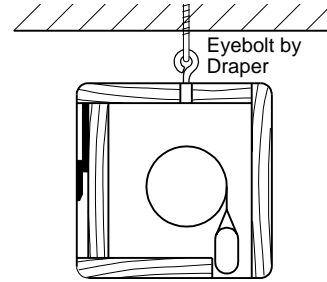


Figure 3

### **Hanging Screen**

#### **General (See Fig. 1):**

When locating viewing surface and checking clearance for screen operation, remember surface is centered in case.

The Artisan's furniture-quality case should always be handled carefully to avoid scratching and protect its finish.

Regardless of mounting method, screen should be positively and securely supported so that vibration or even abusive pulling on the viewing surface will not cause case to work loose or fall. Installer must insure that fasteners used are of adequate strength and suitable for mounting surface chosen.

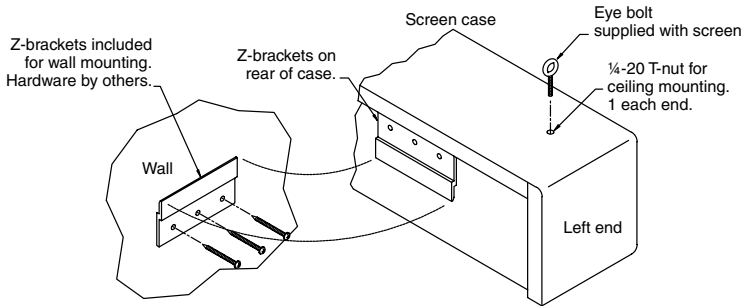


Figure 1

#### **Wall Installation (See Fig. 2):**

Mount 2, 3 or 4 aluminum brackets provided on the wall at desired height, using toggle bolts provided or other appropriate fasteners. Verify that they are in line and level to fully engage matching brackets pre-installed on back of screen case. When screen is set on brackets, pull down gently to ensure that it is snug and secure.

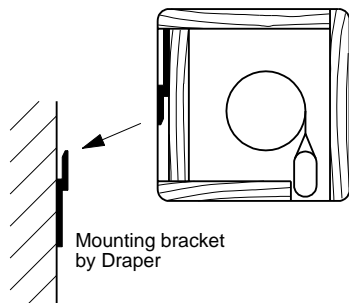
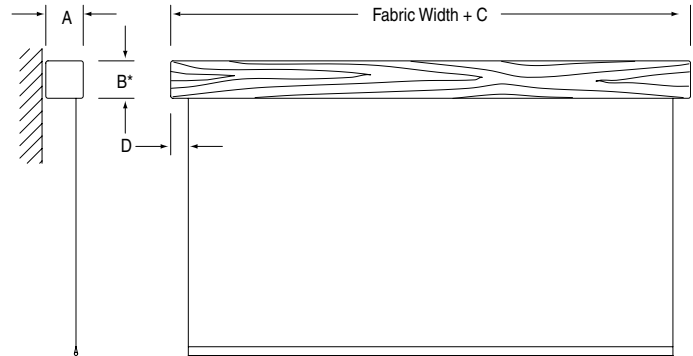


Figure 2

### **Case Dimensions**



Sizes	A	B*	C	D
Through 70" x 70"	3½"	3½"	3"	1½"
Over 70" x 70"	4¼"	4¼"	4"	2"

**\* Bevel style case adds 1⅞" to case height.**

# DRAPER