

Installation/Operating Instructions

220V Paragon Electric Screen by Draper

These Installation/Operating Instructions are available in the official language of the country where you purchase the product. Please contact your distributor to request a copy.

Vous pourriez demander les instructions d'installation et d'opération traduites dans la langue officielle du pays où vous achetez le produit. Veuillez demander à votre distributeur.

Die Gebrauchsanweisung für Installation und Konstruktion sind in der offiziellen Sprache des Landes, indem Sie das Produkt gekauft haben, vorhanden. Fragen Sie die jeweilige Verkaufs-Abteilung.

Caution

- 1 Read instructions through completely before proceeding.
- 2 Follow instructions carefully. Installation contrary to instructions invalidates warranty.
- 3 Pick up screen case from **ends only**. Picking case up at other points **will damage case** and **may damage fabric**.
- 4 Entire bottom of screen case should be unobstructed to permit access to bottom panel for making electrical connections or servicing.
- 5 Screen should be installed level (using a carpenter's level).
- 6 Operating switch(es) packed separately in screen carton. Do not discard with packing material.
- 7 Screen operates on 220 V a.c., 50 Hz., 1ph. current.

NOTE: Screen has been thoroughly inspected and tested at factory and found to be operating properly prior to shipment.

Mounting Screen

Regardless of mounting method used, the following points apply:

- 1 Screen should be lifted into position **only by the end mounting brackets**. **Draper provides eyebolts to use in hoisting the screen. Never attempt to lift screen along its length.**
- 2 Screen should be positively and securely supported so that vibration or even abusive pulling will not weaken installation.
- 3 Installer must insure that fasteners used are of adequate strength and suitable for the mounting surface chosen. **Installer must also insure that wall or ceiling structure are of adequate strength.** Supporting hardware (chains, cables, rods, etc.) must be essentially vertical.
- 4 Entire bottom of case must be readily accessible after installation is complete.
- 5 Front, back and top of case must be straight—not forced to warp or bow. Use threaded rod and support brackets to keep large cases from warping.
- 6 Do not use case to support adjacent sections of ceiling.
- 7 If optional ceiling flange trim kits are attached, use hardware provided.
- 8 If case is painted, slots on bottom of case should be shielded to protect viewing surface from paint splatters or overspray.
- 9 Do not seal unit in ceiling until electrical connections have been made and screen has been operated successfully.

Electrical Connections

Screen operates on 220 V a.c., 50 Hz., 1ph. current.

Junction box is located just above the closure panel, at the motor end of screen. To properly remove closure panel, two people should follow the steps on page two of these instructions. The junction box access plate is held closed with pan head screws and may be opened with a Phillips screwdriver.

Removal of access plate exposes red, black and white pigtail leads and green internal ground wire per wiring diagram attached.

Screen is shipped with internal wiring complete and control switch(es) fully

boxed. Wire connecting shade to switch(es) and switch(es) to power supply should be furnished by installer. Connections should be made in accordance with attached wiring diagram, and wiring should comply with national and local electrical codes.

All operating switches should be "off" before power is connected.

Operation

When screen is first operated, **be cautious!** Cycle unit down and up several times to confirm satisfactory operation.

220 V a.c. Single Station Control—3-position up-off-down switch permits operation to be stopped at any point. Factory adjusted limit switches automatically stop screen when fully down or fully up.

220 V a.c. Multiple Station Control (Not CE approved)—Switches are similar in appearance to 220 V a.c. Single Station Control. Screen stops when switch is released and may be restarted in either direction. Factory adjusted limit switches stop screen automatically when fully up or fully down.

24v Control—Three-button up-stop-down switch(es) stop at any point desired, operate in any sequence. Factory adjusted limit switches automatically stop screen when fully up or fully down. Installer should incorporate an all-pole disconnect in the fixed wiring.

Key Operated Switching (Not CE approved)—Two kinds of key-operated switches are optionally available with this unit. ① The key-operated power supply switch controls power to the screen and switches. When it is "off", the switches will not operate screen. Key may be removed from the switch in either "on" or "off" position. ② A three-position key switch permits the screen to be operated directly by key. In this case, the screen's operator must always have a key.

Adjustments

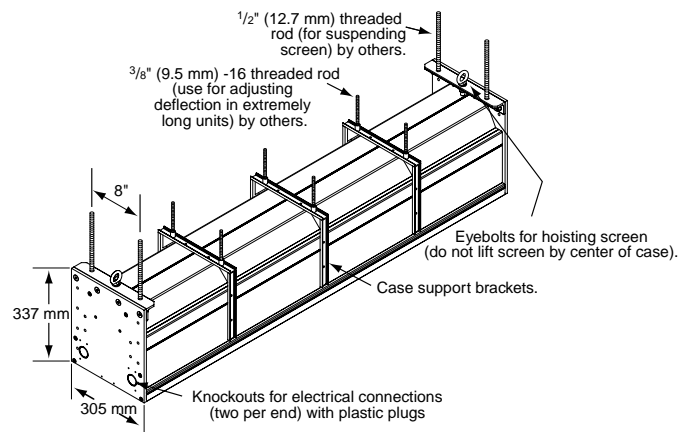
Screen has been factory set and should not normally require further adjustment. However, if you desire to change the "up" and "down" stopping positions, proceed as follows:

CAUTION: Be sure all switches are in "off" position before adjusting limit switches. Always be prepared to shut screen off manually when new adjustment is being tested. Screen may be severely damaged if viewing surface is allowed to run too far up or too far down.

ADJUSTING "FULLY UP" POSITION—Put a small screw driver in the groove of the yellow button on the motor and press vertically until hearing a "click". Raise the shade by pressing the "up" switch on unit. Press the "stop" switch when the screen is at the desired position. Then press the yellow button on motor until you hear a "click", then release.

ADJUSTING "FULLY DOWN" POSITION—Put a small screw driver in the groove of the white button on the motor and press vertically until hearing a "click". Lower the screen by pressing the "down" switch on unit. Press the "stop" switch when the screen is at the desired position. Then press the white button on motor until you hear a "click", then release.

AT NO TIME SHOULD SCREEN BE UNROLLED ENOUGH TO EXPOSE ANY PART OF SCREEN ROLLER.



DRAPER

411 S. Pearl St., Spiceland, IN 47385 USA ■ 765-987-7999 ■ fax 765-987-7142

e-mail draper@draperinc.com ■ www.draperinc.com

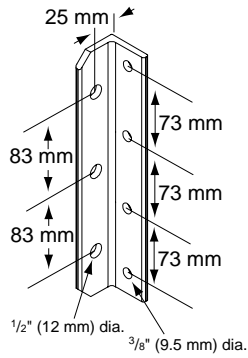
Copyright © 2003 Draper Inc.

Form Paragon220V_Inst03

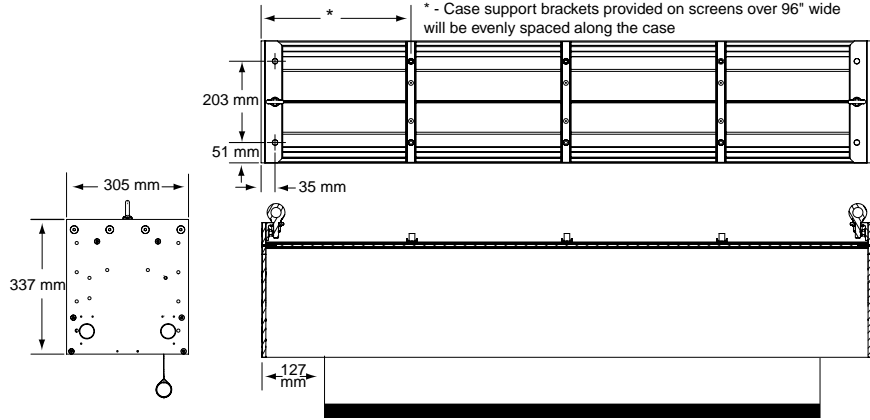
Printed in U.S.A.

Please see back page for dimensional diagrams of case and optional wall mounting bracket, wiring diagrams and instructions on removing and replacing the bottom closure.

Optional Wall Mounting Bracket



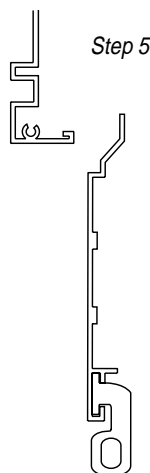
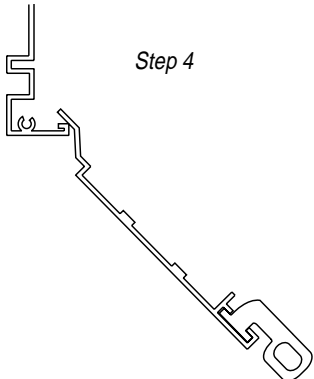
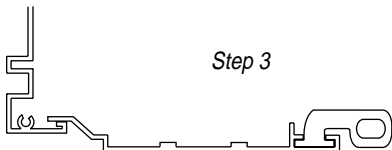
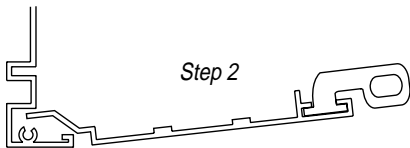
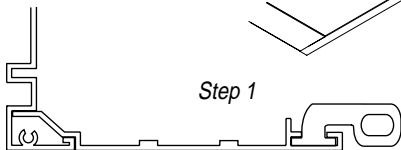
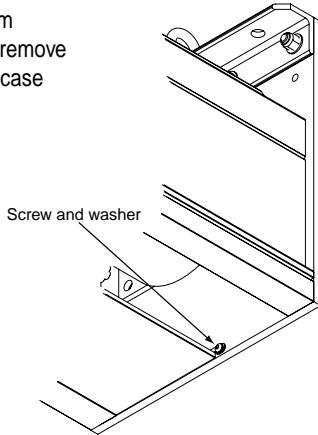
Case Dimensions*



Bottom Closure Removal/Replacement

Removal and replacement of the bottom closure panel requires two people positioned about 5' from each end of the panel. Closure should be handled as shown in Step 5 below to prevent bowing of the closure during handling.

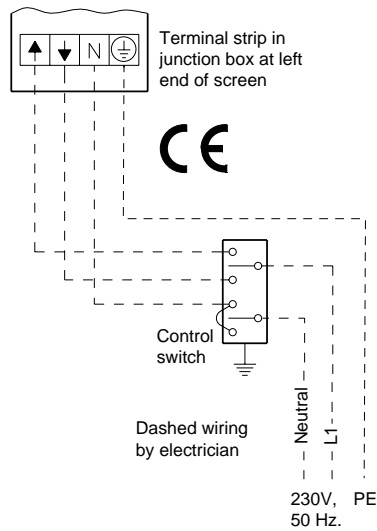
Before removing bottom closure, you must first remove screws at each end of case (see drawing at right).



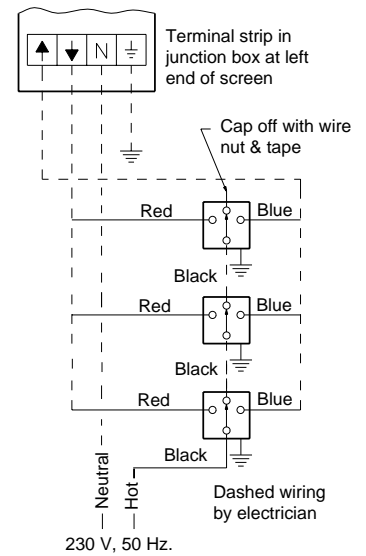
***Please Note: Optional wall brackets add 1 3/4" per bracket to case length. Wall mounting bracket hole location is 1" from end of case.**

Wiring Diagrams

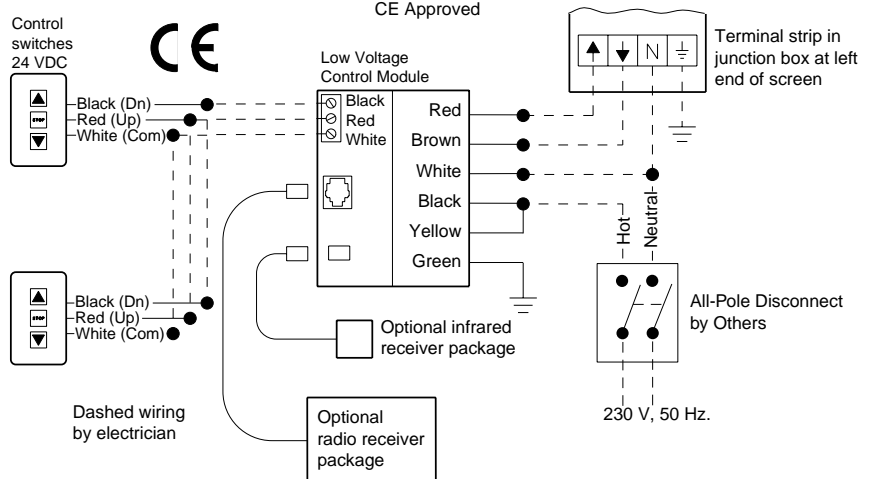
Single Station Control CE Approved



Multiple Station Control Not CE Approved



Low Voltage (& Wireless) Control Wiring Diagram CE Approved



If you encounter any difficulties installing or servicing your Paragon screen, call your dealer or Draper, Inc., Spiceland, Indiana, (765) 987-7999; fax (765) 987-7142; or e-mail draper@draperinc.com.